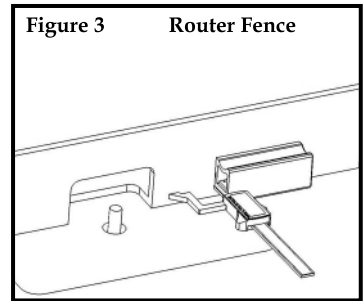
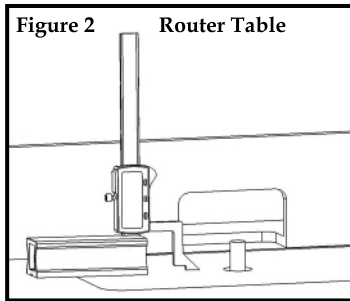
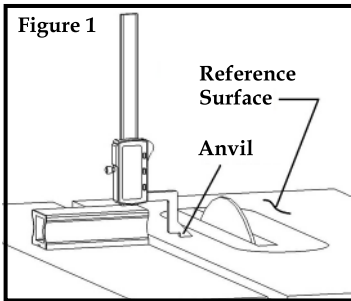


SAFETY FIRST

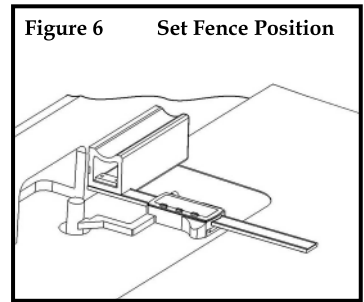
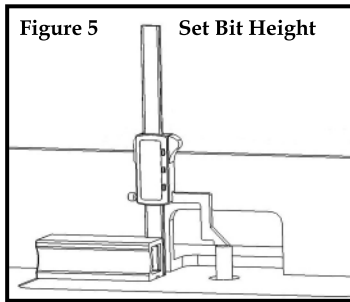
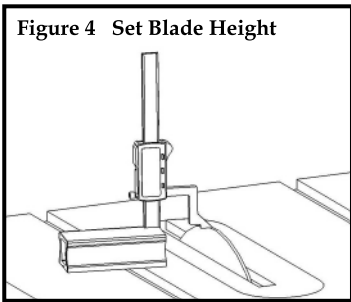
- Always turn off and unplug power tools before using the Digital Height Gauge
- Never use your power tools without properly installed guards. The guards are not shown in our instructions only to make the illustrations clear.

INSTRUCTIONS

1. Set the base of the Height Gauge on a flat reference surface and lower the anvil until it lightly touches the surface.
2. Push the ON/OFF button to turn the gauge on, or press Zero if it is already ON, to calibrate the Height Gauge to 0.000" with respect to the reference surface. (see Figure 1, 2, 3)



3. Set your saw blade or router bit to the proper height or your router bit fence to the proper distance. (see Figure 4, 5, 6)



FUNCTIONS

- ON/OFF - Turns the power completely on or off and resets to 0.000.
- IN/MM - toggles from decimal inches with fractions to millimeter.
- ZERO - sets display to 0.00 at any position
- Auto shut off - turns power off automatically after 30-60 minutes.

BATTERY REPLACEMENT AND TROUBLE SHOOTING



Problem	Possible Cause	Solution
Flashing Digits	Low Voltage	Replace Battery
No Display	Low Voltage	Replace Battery
No Display	Bad Contact	Clean Battery
Erratic or Frozen Display	Internal Error	Remove Battery Wait 1 Minute and Replace

SPECIFICATIONS

Measuring Length: 4 1/4" (109mm)

Resolution: Decimal = .001 in
 Fraction = 1/64 in
 Metric = .05 mm

Accuracy: Decimal = +/- .001"
 Fraction = +/- 1/500"
 Metric = +/- .025 mm

Battery: 6 months life
 Type CR2032

Functions: IN / MM
 ON / OFF
 ZERO
 Auto shut off